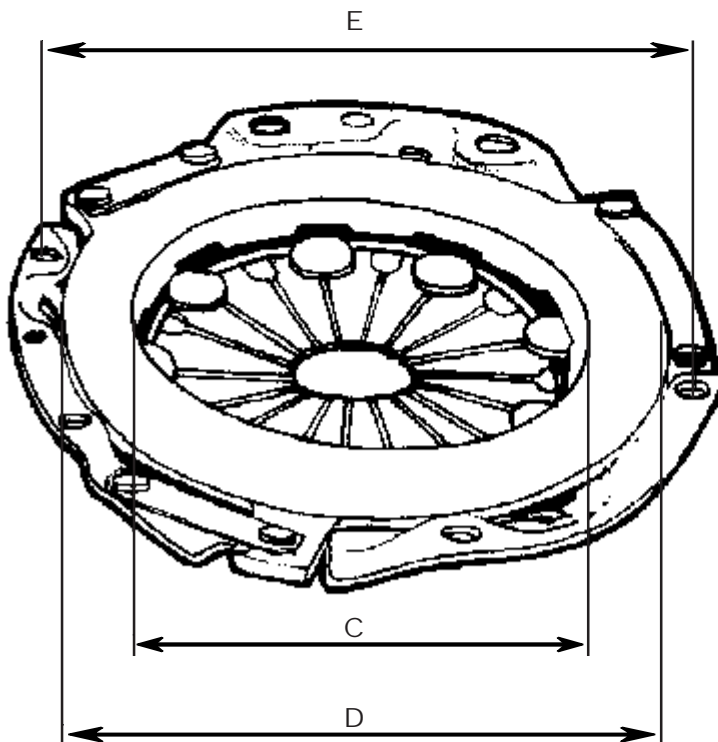


**A = Diameter of centre hole.**  
**B = Height of cover assembly.**



C = ID (hole) of casting

D = OD of casting

E = The Pitch Circle Diameter (P.C.D.) which is the measurement of the bolt holes when measured centre to centre across the centre of the cover assembly.

One method is to measure from the outside of the bolt hole on the left to the inside of the bolt hole on the right, which will give you the P.C.D.