

# TECH NOTE U

**ISSUE DATE:** 14-Dec-04  
**EXEDY REF:** V  
**REVISED:** 15-Aug-05

## HIGH TORQUE CENTRE CLUTCH PLATES

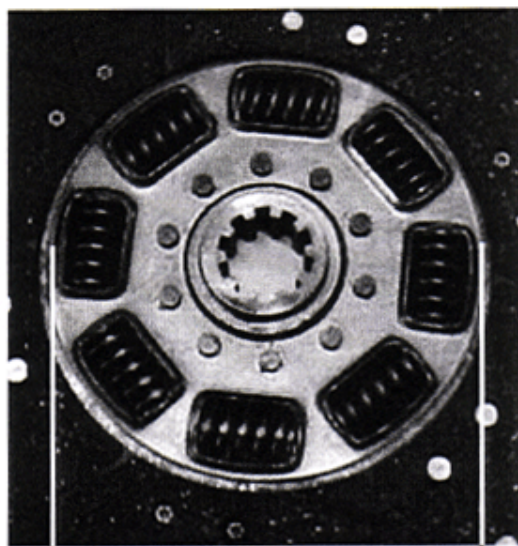
The spring centre of the HIGH TORQUE clutch disc is a larger diameter. (Refer Fig. 1)

In some applications it can be too large and will foul on the inside diameter of the flywheel. (See Fig. 2)

If this is the case the flywheel will have to be machined out to a larger inside diameter to allow clearance for the HIGH TORQUE center of the clutch disc.

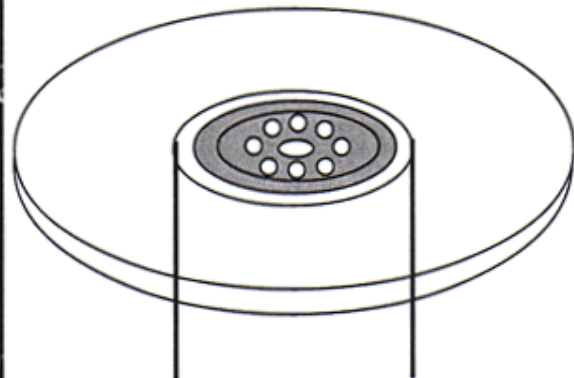
### NOTE

It is the owner/fitter/mechanics responsibility to make sure that the HIGH TORQUE center plate will not foul on any part of the flywheel.



Check for clearance on flywheel

**Fig. 1**



Check flywheel to make sure it  
clears clutch plate centre

**Fig. 2**